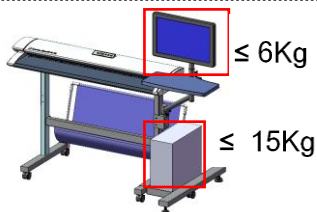


# ASSEMBLY INSTRUCTIONS

## For Floor Stand PC Mounting Option for SC and SG Scanner

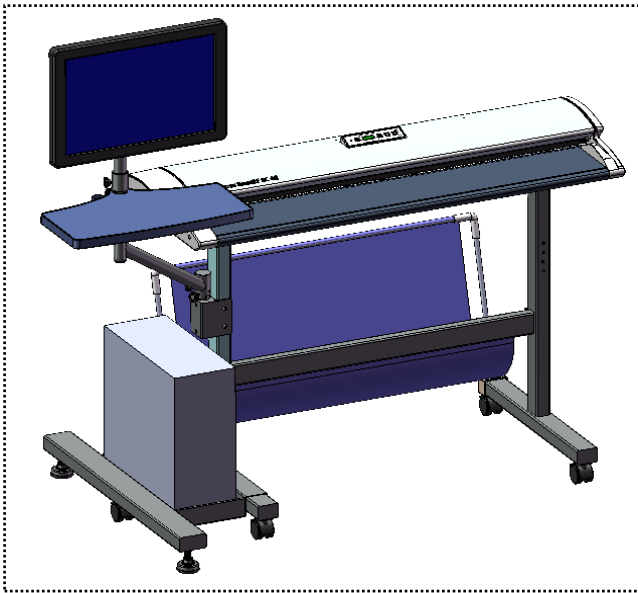
Version 1.6 Jun 2014



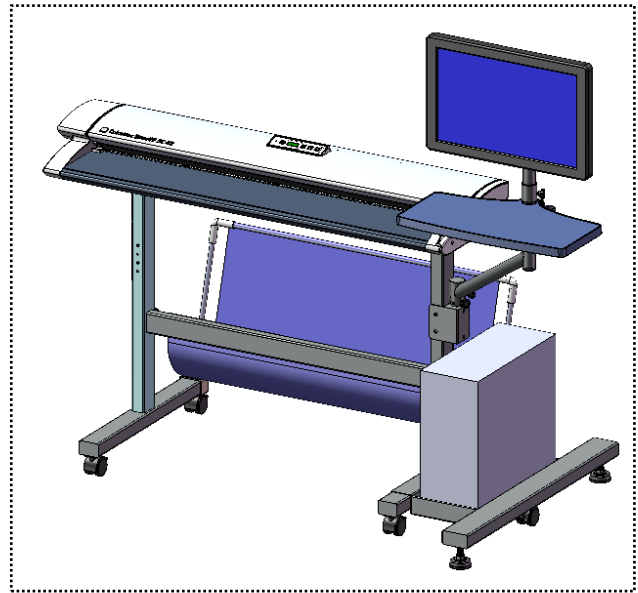
**SAFETY NOTICE**

COMPUTER AND MONITOR WEIGHT AND SIZE MUST NOT EXCEED:

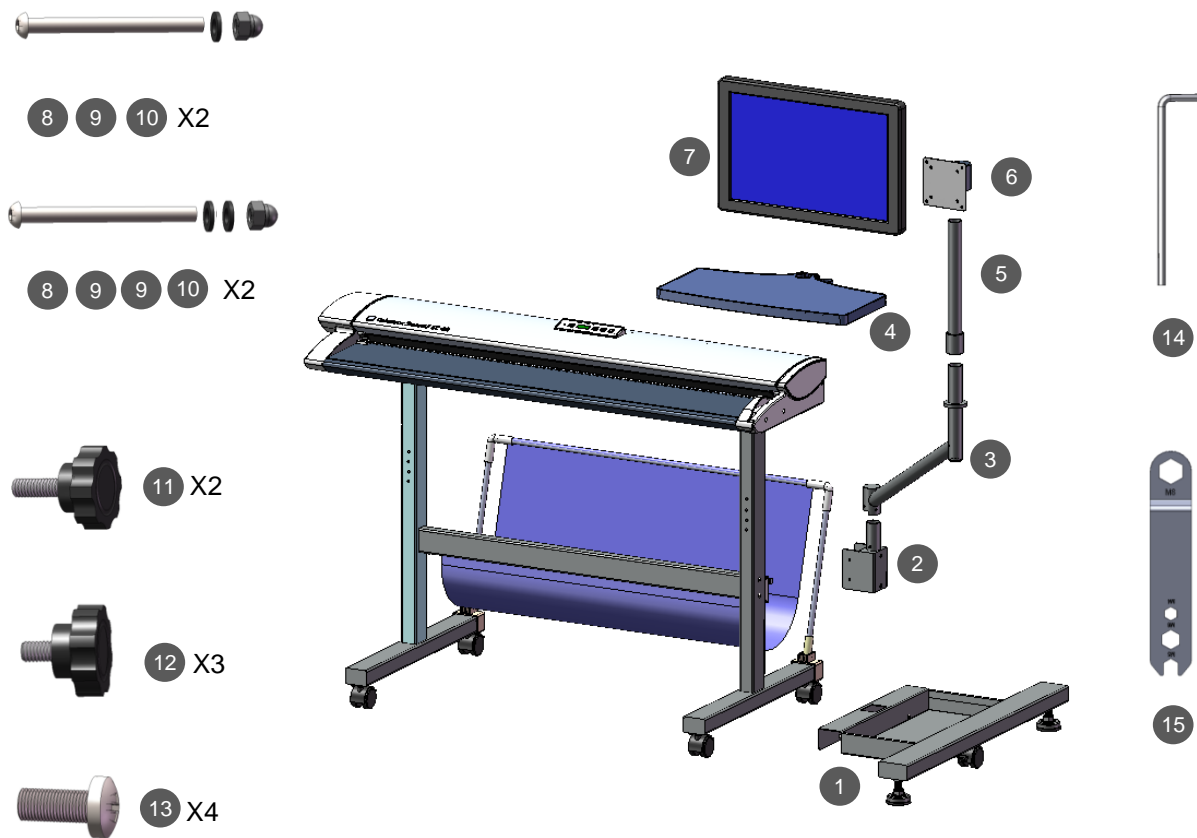
1. COMPUTER - WEIGHT 15KG, SIZE 43 x 42 x 18CM
2. MONITOR - WEIGHT 6KG, SIZE 22 INCH.



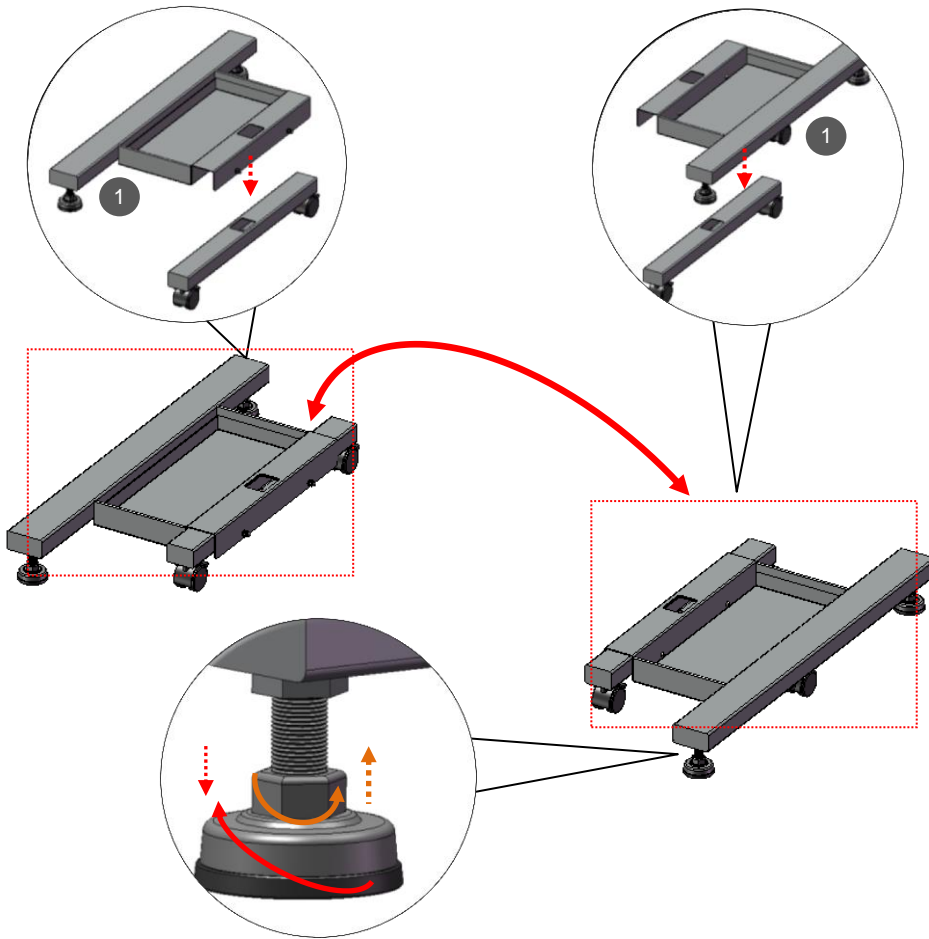
Option- L



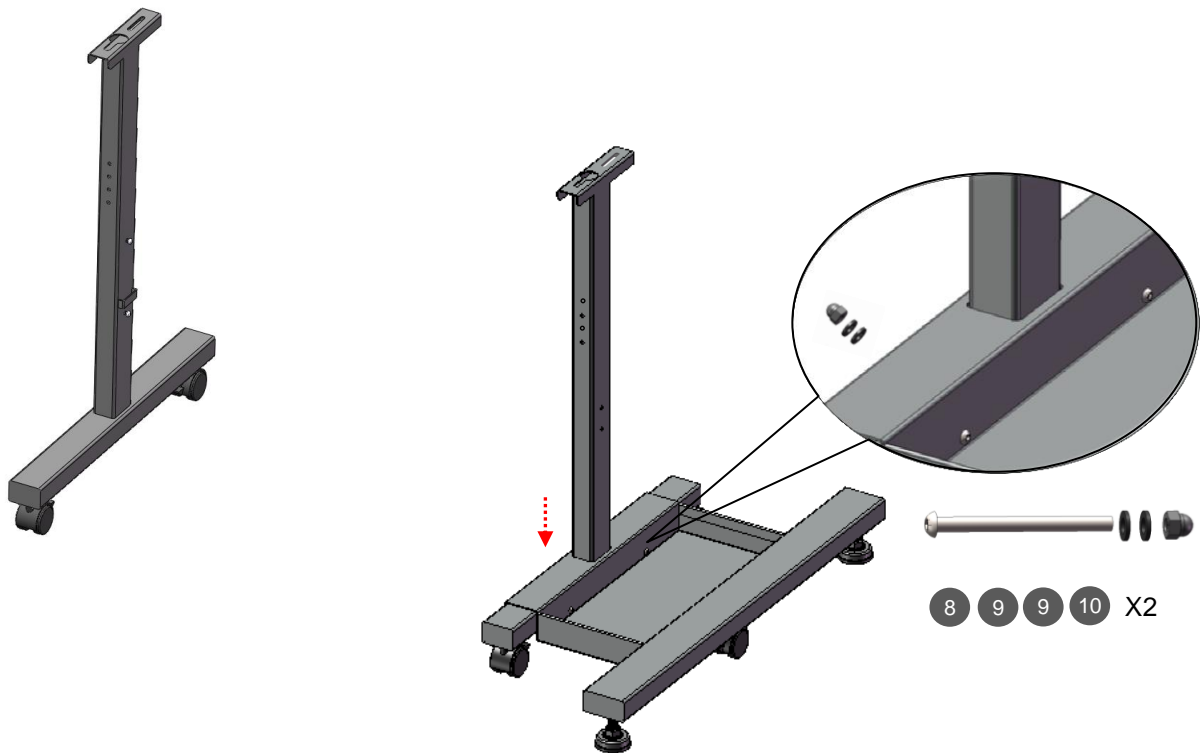
Option- R



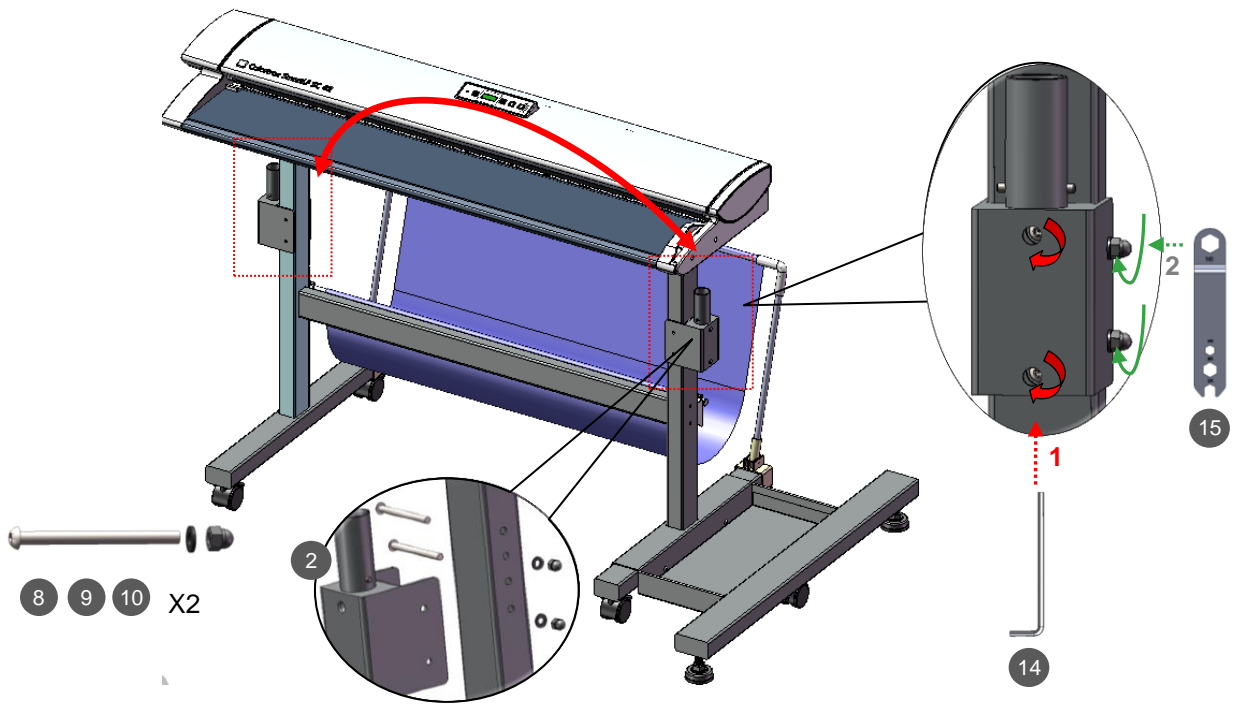
1



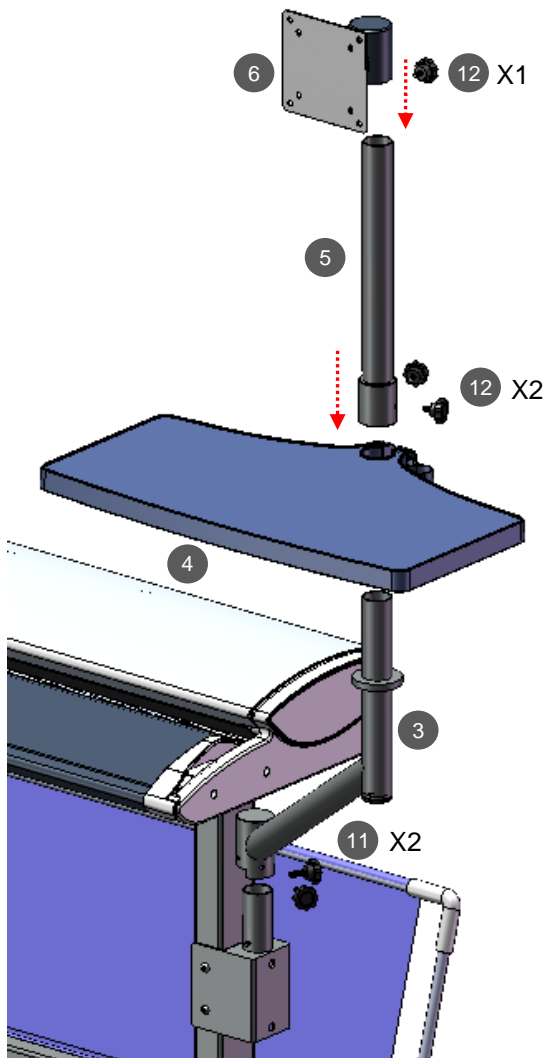
2



**3**



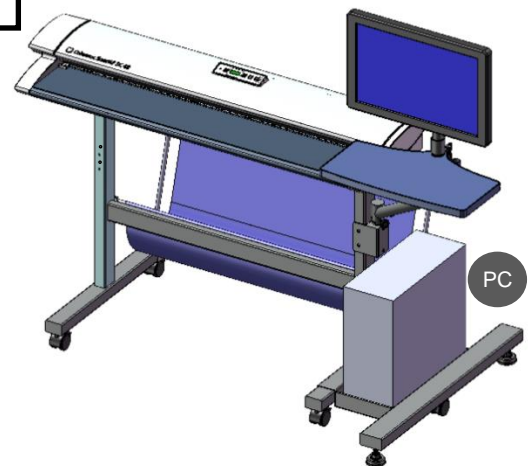
**4**



**5**

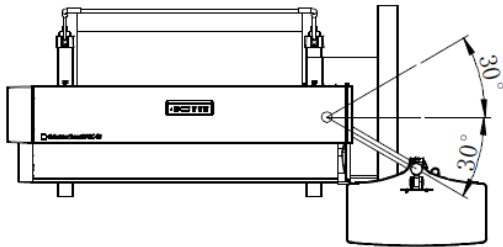
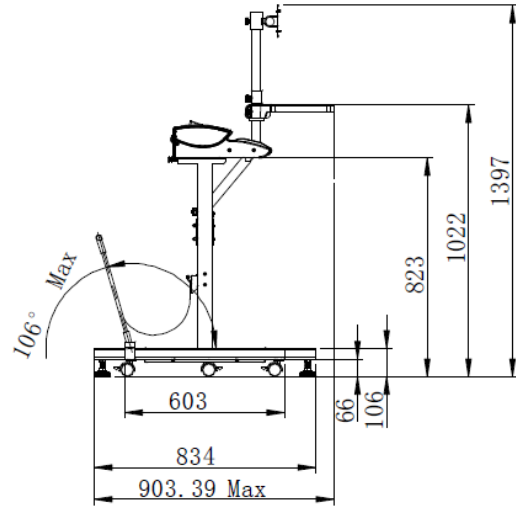
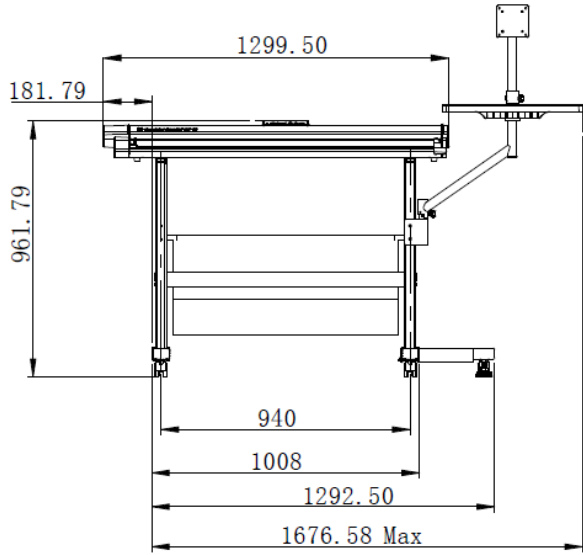


**6**

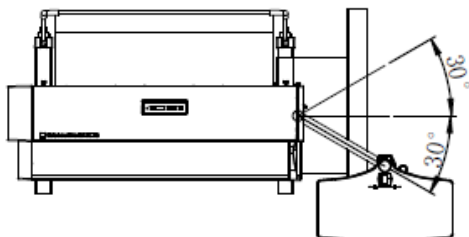
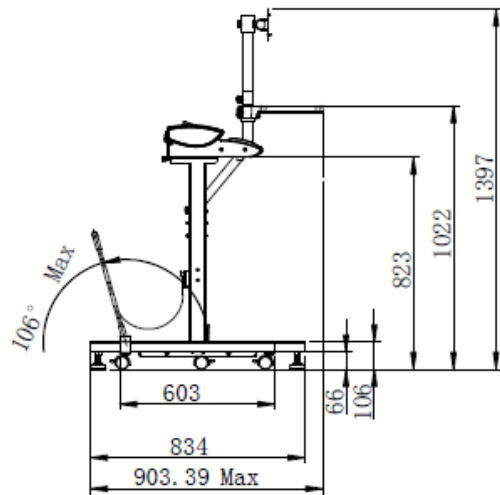
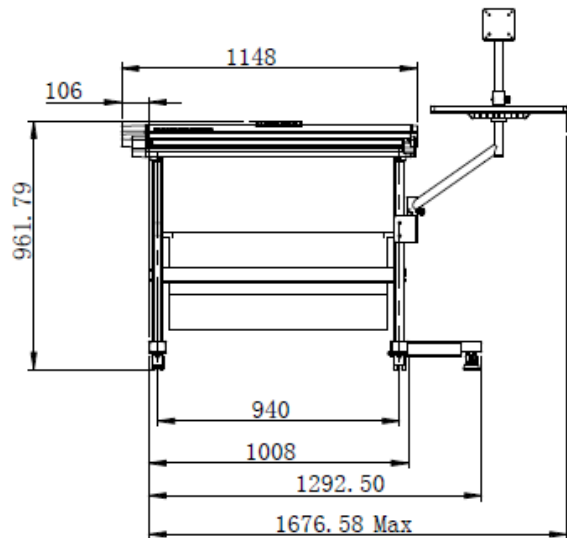


# Dimensions

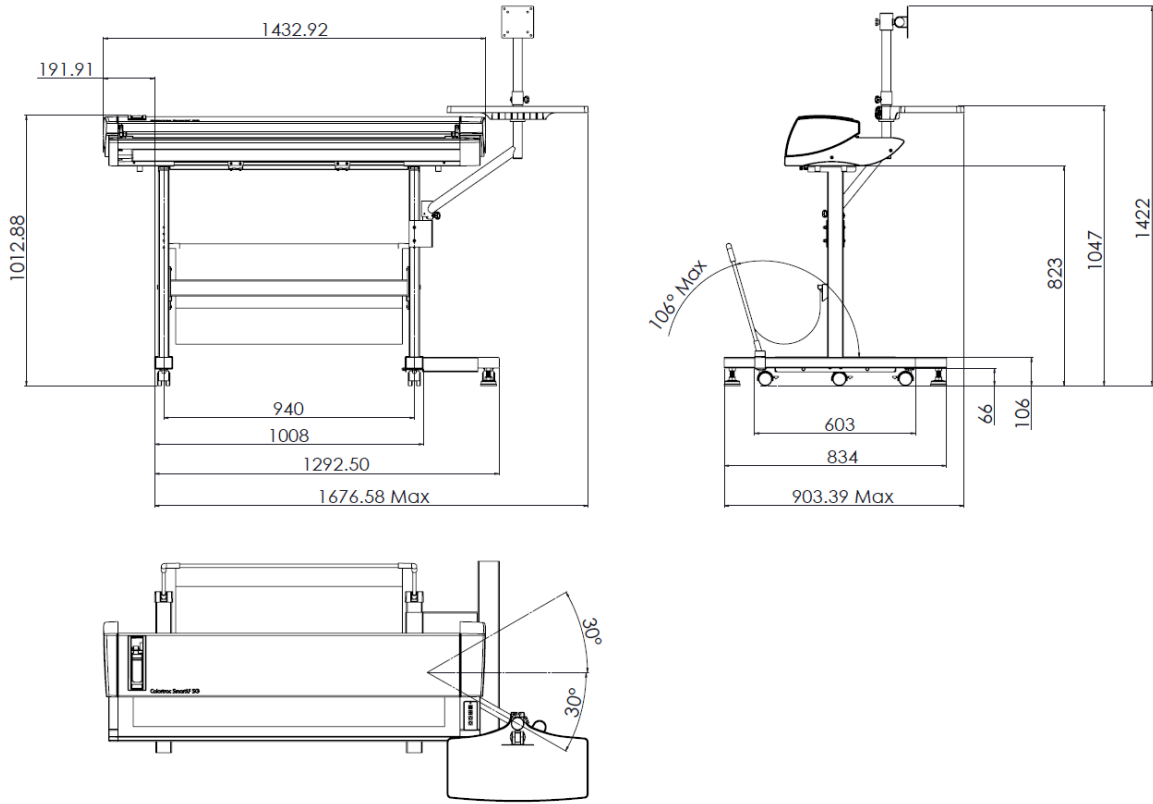
## SC 42



## SC 36

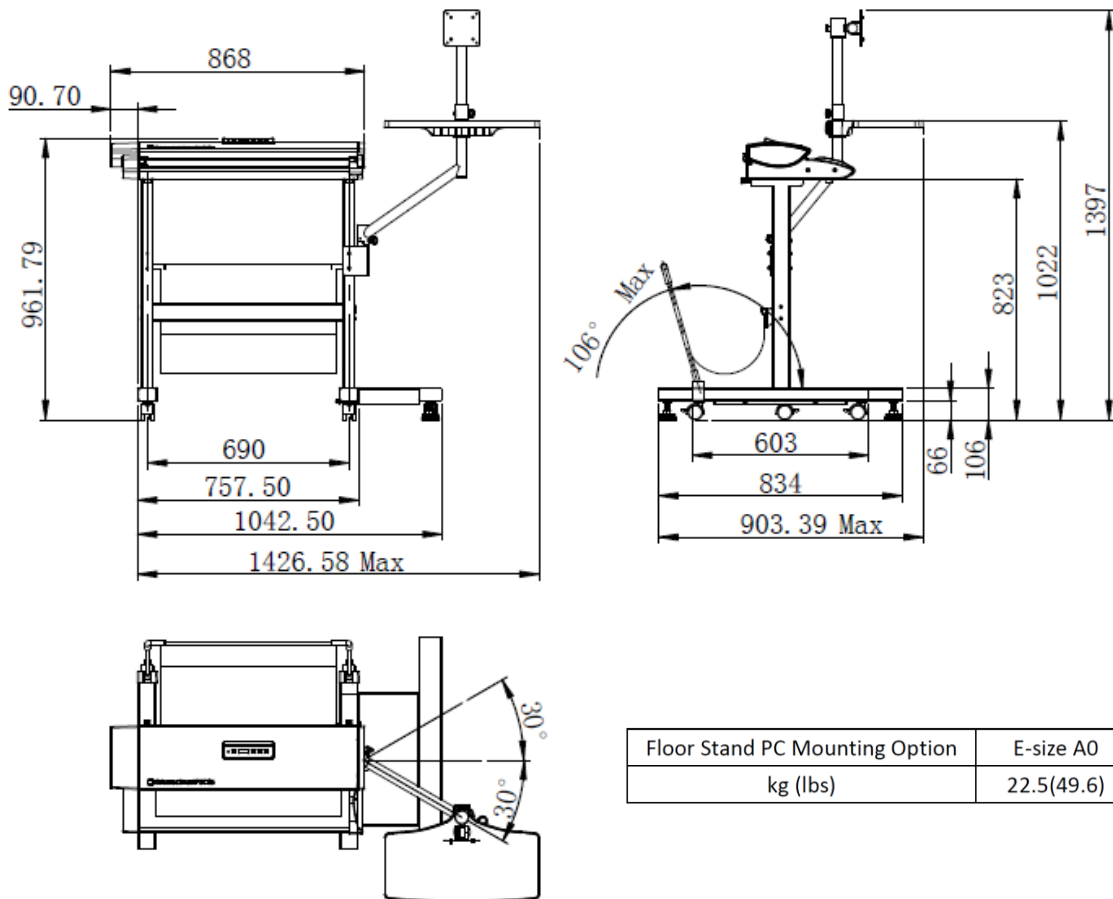


# SG



## Dimensions

# SC 25



Floor Stand PC Mounting Option	E-size A0	D-Size A1
kg (lbs)	22.5(49.6)	21.5(47.4)